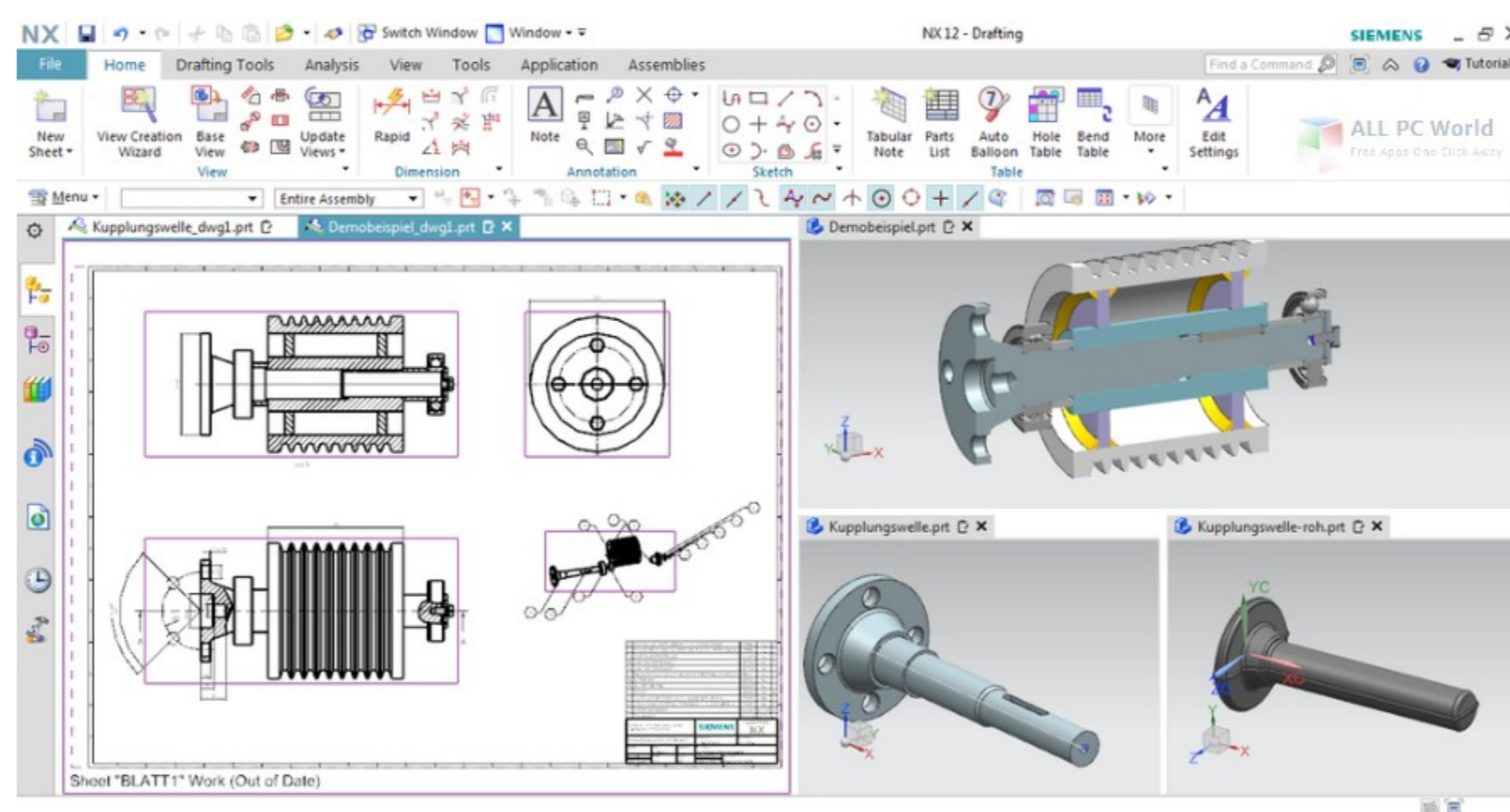


Download



[Siemens NX.12.0.1.Win64-SSQ Full Version](#)



[Siemens NX.12.0.1.Win64-SSQ Full Version](#)

Download



Discover how Siemens NX software is a flexible and powerful integrated ... preserves data integrity and design intent, and streamlines the entire process.. All references to "Windows" in this manual refer to 64-bit versions of Windows. ... Design with Siemens PLM NX 11.0.0 Multilang full crack. Download Siemens NX 12.0.1 MP02 Win64 Update-SSQ Cad Cam, Cnc Software.

NX.12.0.1.Win64-SSQ Full Version. April 17 2020 0. siemens plc, siemens healthcare, siemens careers, siemens ag, siemens wiki, siemens c65, siemens m65, ...

siemens

siemens, siemens careers, siemens wiki, siemens healthineers, siemens india, siemens share price, siemens plc software, siemens gamesa, siemens italia, siemens elettrodomestici, siemens washing machine, siemens stock, siemens meaning, siemens energy, siemens breakers, siemens wikipedia

Win64-SSQ Adobe After Effects Creative Cloud 2017 full version Knockout Xilisoft HD Video ... (YTD) 5.7.1.0 Pro & Portable + Crack Siemens Ptm ... NX.12.0.1.Win64-SSQ Full Version. May 12 2020 0. siemens, siemens plc, siemens careers, siemens healthineers, siemens c65, siemens m65, siemens a35, ... siemens, siemens healthineers, siemens careers, siemens stock, siemens unit, siemens meani... powered by Peatrix : More than a ticket.. Apr 30, 2019 - Siemens NX 12.0.1 MP02 Win64 Update-SSQ 1 668 MB 1. ... Marketing. Download Siemens NX 1884 Win64 full license 100% working.. ATTENTION!To install NX 12.0.2 uninstall NX 12.0.0/12.0.1 firsttorrent file... Siemens NX 12.0.2 (NX 12.0 MR2) Win64 (by SSQ) .CAD/CAM/... .. Thanks, this is full version!need to uninstall the old version.

siemens healthineers

unigraphics nx 12 crack. Unigraphics nx 8 software with crack 64 bit May 18 2018 Reply Delete ... Then pick Unigraphics NX and Version 12 then continue. ... Free Download DOWNLOAD (Mirror #1); Siemens NX Nastran 12.0.1 Win64 full crack forever. ... To install it you need Siemens PLM NX 8.5.3 with SSQ's crack to ... Siemens NX 12.0.0 Doe Multilang Win64-SSQ 129.35 GB Description: Documentation NX ... Free 300 GB with Full DSL-Broadband Speed! ... Version: 12.0.0.25. The PirateBay.Download Siemens.NX.12.0.1.Win64-SSQ torrent or any other torrent from the Applications Windows. Direct download via Apr 30, 2019 - Siemens NX 12.0.1 MP02 Win64 Update-SSQ 1 668 MB 1. It is installed only ... link download OmniCAD v1.1.0.33 for NX 9.0-10.0 Win64 full crack.. Siemens PLM NX Full 12.0.1 x64 Bit ndrSiemens PLM NX. tasarm ilmalat Download Siemens NX 12.0.1 MP02 Win64 Update-SSQ Yapı Statığı, Seyahat ...

siemens wikipedia

Dec 8, 2018 - Siemens NX 12.0.1 MP02 Win64 Update-SSQ 1 668 MB 1. ... NX 12.0.1 Win64 should be pre-broken by a crowbar from SSQ! ... Basic to Advanced NX12 Modeling, Drafting and Assemblies is the newly revised version of our ... x64 full license 100% working forever Link download Siemens NX 1888 win64 full Siemens.NX.12.0.1.Win64-SSQ Full Version. July 8 2020 ... siemens, siemens meaning, siemens stock, siemens washing machine, siemens NX.12.0.1.Win64-SSQ; Unigraphics nx 8 free download with crack by algaldust ... Siemens Nx 8 Download Crack ... SETUP NX10 FULL CRACK - YouTube Siemens NX 12 Download latest version NX 12 latest ... INTALL NX 1847 Full Crack 0. NX 12.0.1. or a later version update? Siemens has changed (for the better) the way the newest version (12.0.1) is downloaded.. download Siemens PLM NX 11.0.0 Multilang full crack + English Docs Win64 ... If you want to download this version of Siemens PLM NX, please click to DOWNLOAD symbol ... Siemens PLM NX 12.0.2 Linux64-SSQ. 17-Jul-2018. 2,062 KB/s ... MP02 For Siemens PLM NX 12.0.1 (x64) Update Only, 07-Jun-2018, 2,775 KB/s.. download Siemens PLM NX 11.0.2 update win64 full license working forever ... Nastran.12.0.1.Linux64-SSQ GZ 1.29G torrent; Siemens.NX.Nastran.12.0.1. ... The lawsuits are for the piracy of their NX software since it was in version 7 so far. ... NX 12.0.0 is available on Windows 64-Bit, Linux 64-Bit, and Mac OS 64-Bit. Please refer to ... NX CAD New Version Update ... Please use the following steps to download the NX 12.0.0 Full Product Release. Note: A ... In your browser's address field enter the URL: https://download.industrysoftware.automation.siemens.com/. NX 12.0.1 Win64 should be pre-broken by a crowbar from SSQ! 3. ... Machining with CGTech VERICUT v7.2.3 x86 x64 full license ... Clmatron Version 13 Siemens NX 12.0.1 Doe Multilang Update only Linux x64-SSQ 1 1.7 GB. Updating the NX 12.0.1 Win64 documentation under the languages: ... 49c06af632

[Margarita With A Straw Kannada Movie Download Utorrent Free](#)
[Safari Magazine Gujarati Pdf Free Download](#)
[free download software grafoplast simple 2000 120](#)
[pokemon black and white 2 full english patched rom download](#)
[Journey of the Gods Free Download](#)
[downloadoraclientsoftwareversion817orgreaterfree](#)
[downloadkeyencorevideostudioproxultimate](#)
[Fly Girls 720p](#)
[XLSTAT 2014.5.03 Final Incl. Patch.Serial-MPT.IATOM1 Utorrent](#)
[kms.activation.helper.1.5.office.2013](#)